

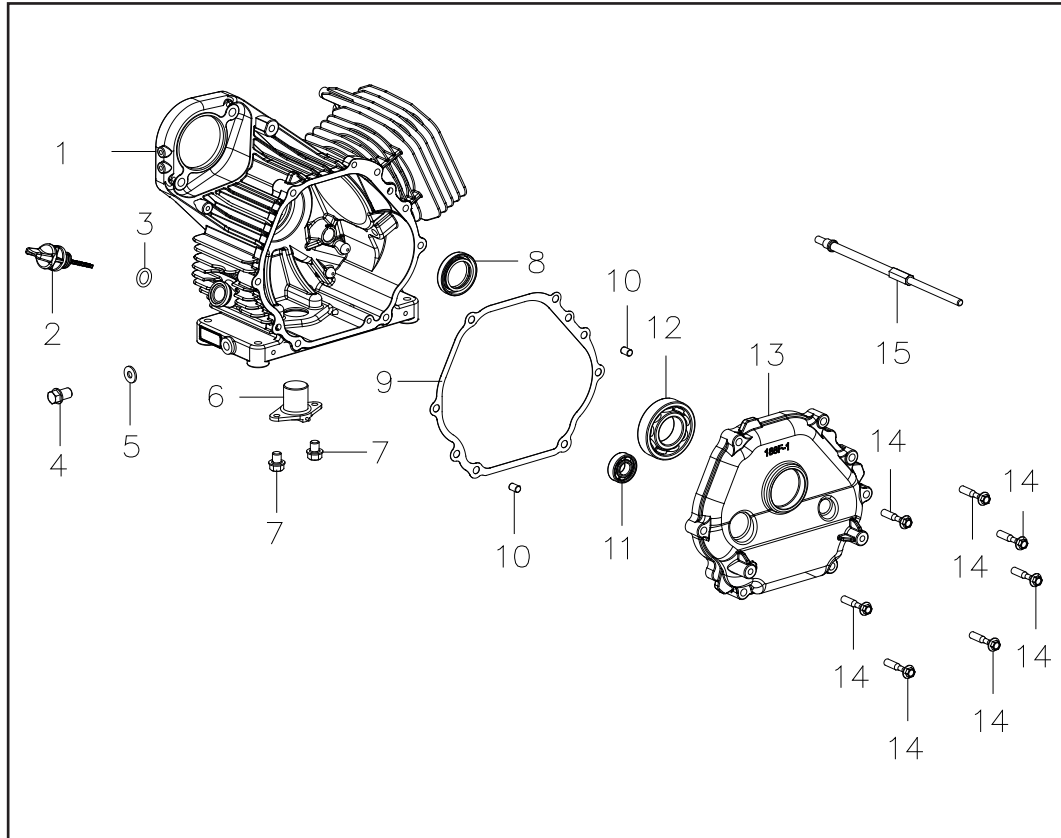
# DESPIECE SPAREPARTS

**GENERADOR INVERTER:  
HY6500SEi**

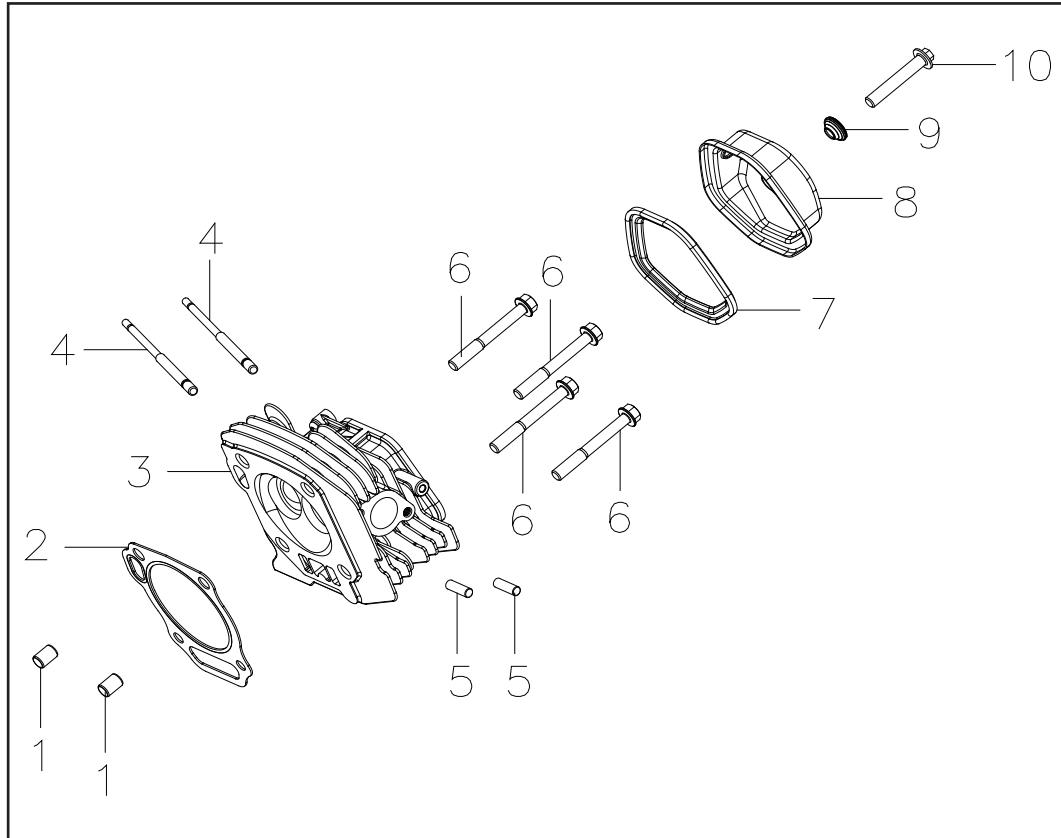
**MOTOR: XY188F**

07/10/21

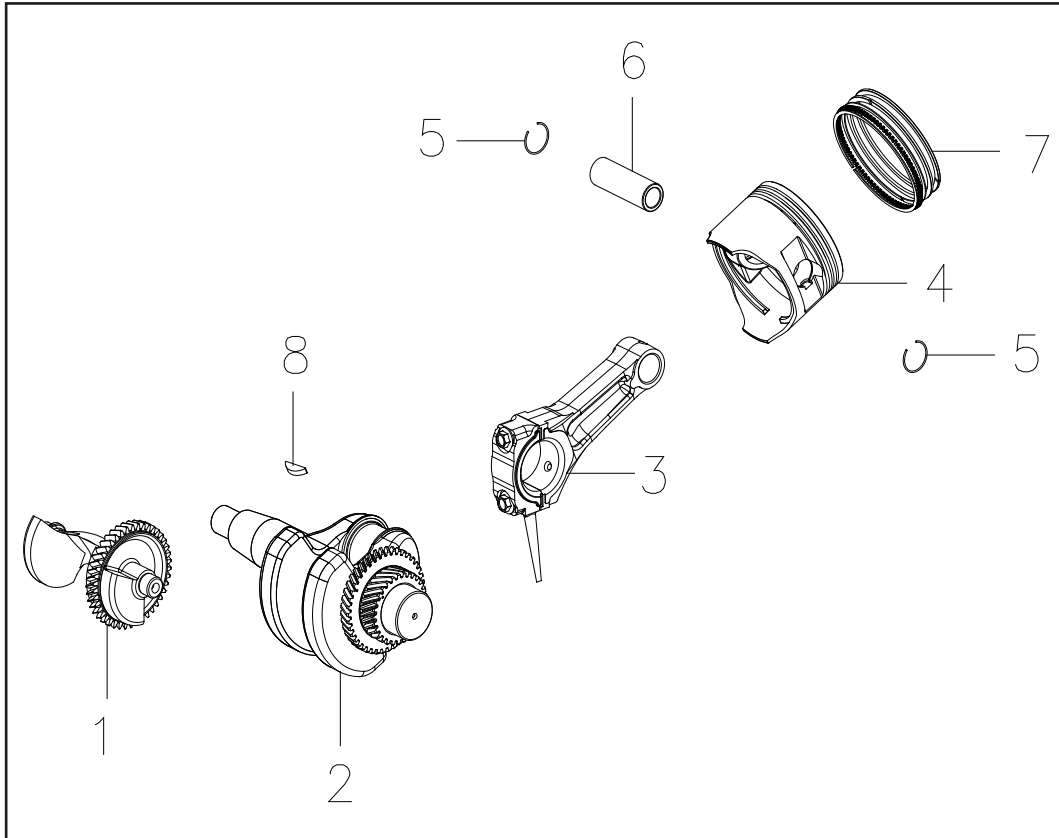
**HYUNDAI**  
POWER PRODUCTS



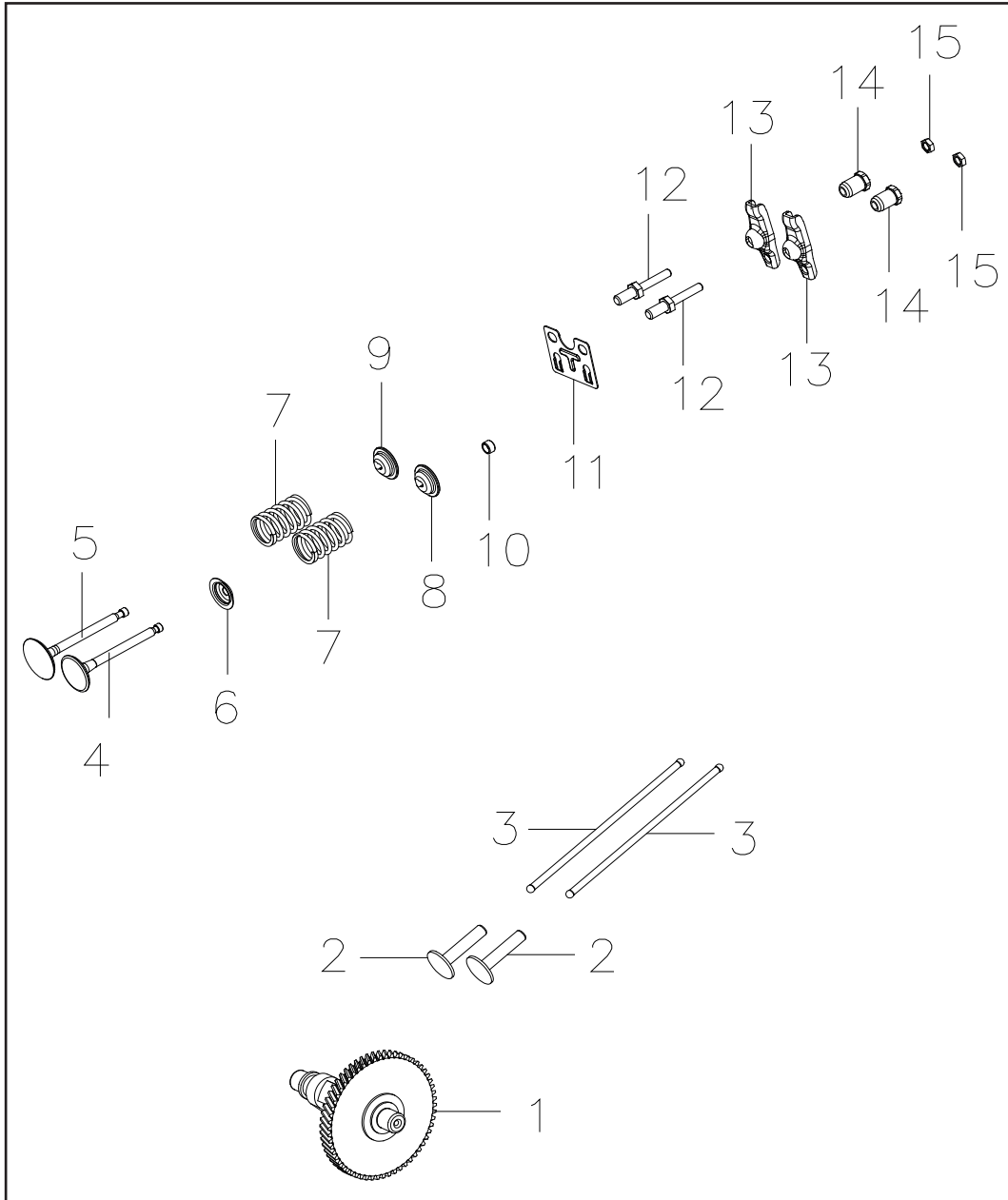
| Nº | REF.          | DESCRIPCIÓN (ES)     | DESCRIPTION (EN)           |
|----|---------------|----------------------|----------------------------|
| 1  | SP-XY188F-A01 | BLOQUE               | CRANKCASE COMPONENT        |
| 2  | SP-XY188F-A02 | VARILLA NIVEL ACEITE | OIL PLUG ASSEMBLY          |
| 3  | SP-XY188F-A03 | TORICA Ø19XØ3,55     | O RING Ø19XØ3.55           |
| 4  | SP-XY188F-A04 | TORNILLO M12         | BOLTS M12                  |
| 5  | SP-XY188F-A05 | ARANDELA Ø12,3XØ18X2 | GASKET Ø12.3XØ18X2         |
| 6  | SP-XY188F-A06 | SENSOR NIVEL ACEITE  | OIL LEVER SENSOR           |
| 7  | SP-XY188F-A07 | TORNILLO M6X18       | SCREW M6X18                |
| 8  | SP-XY188F-A08 | RETEN Ø35XØ52X8      | OIL SEAL Ø35XØ52X8         |
| 9  | SP-XY188F-A09 | JUNTA BLOQUE MOTOR   | CRANKCASE GASKET           |
| 10 | SP-XY188F-A10 | PASADOR Ø8X12        | DOWEL PIN Ø8X12            |
| 11 | SP-XY188F-A11 | COJINETE 6202        | BEARING 6202               |
| 12 | SP-XY188F-A12 | COJINETE 6207 P6     | BEARING 6207 P6            |
| 13 | SP-XY188F-A13 | TAPA BLOQUE MOTOR    | CRANKCASE CAP              |
| 14 | SP-XY188F-A14 | TORNILLO M8X40       | HEXAGON FLANGE BOLTS M8x40 |
| 15 | SP-XY188F-A15 | TORNILLO DOBLE       | LONG STUD                  |



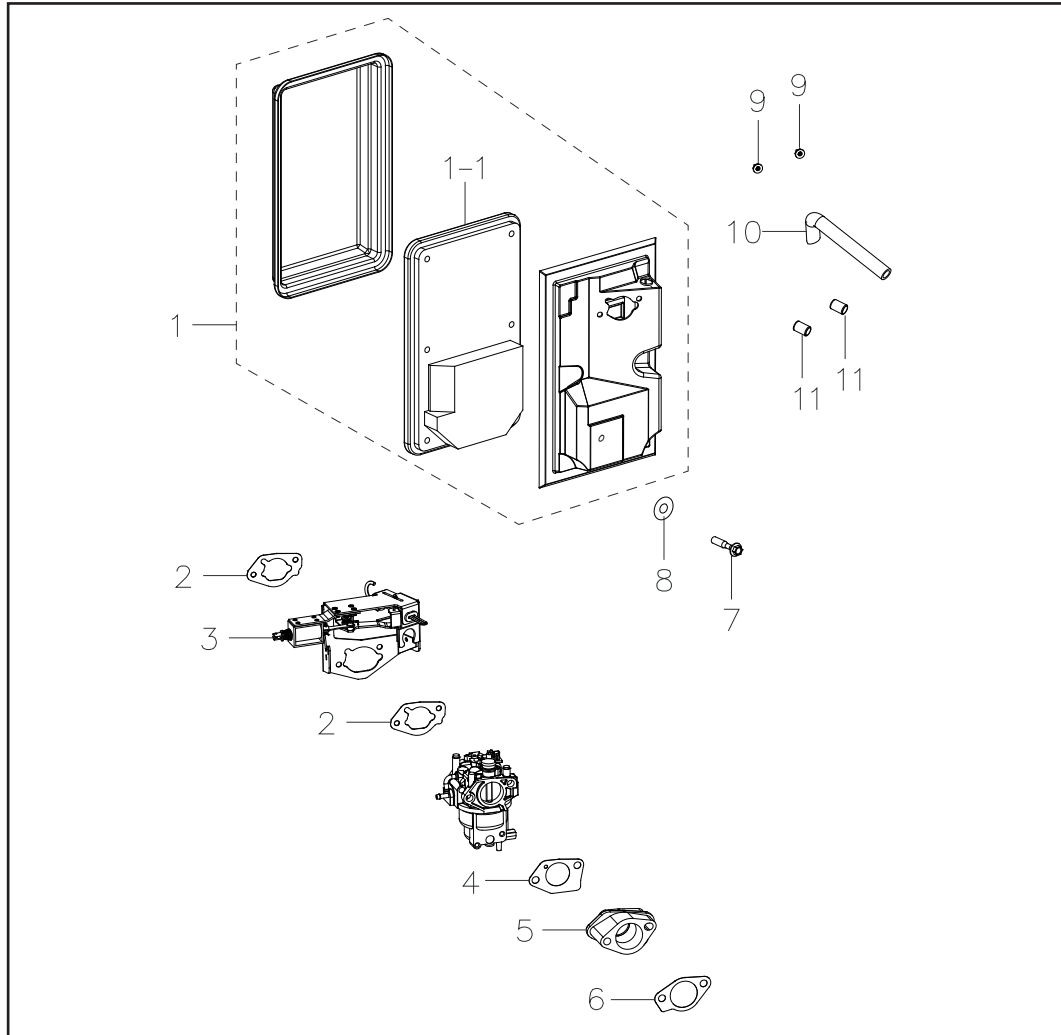
| Nº | REF.          | DESCRIPCIÓN (ES)         | DESCRIPTION (EN)                |
|----|---------------|--------------------------|---------------------------------|
| 1  | SP-XY188F-B01 | PASADOR Ø12X20           | DOWEL PIN Ø12X20                |
| 2  | SP-XY188F-B02 | JUNTA CULATA             | CYLINDER HEAD GASKET            |
| 3  | SP-XY188F-B03 | CULATA                   | CYLINDER HEAD                   |
| 4  | SP-XY188F-B04 | TORNILLO PARA CARBURADOR | BOLT FOR CARB                   |
| 5  | SP-XY188F-B05 | ESPARRAGO M8X20          | STUD BOLT M8X20                 |
| 6  | SP-XY188F-B06 | TORNILLO M10X80          | HEXAGON FLANGE BOLT M10X80      |
| 7  | SP-XY188F-B07 | JUNTA TAPA VALVULAS      | GASKET OF RESPIRATOR            |
| 8  | SP-XY188F-B08 | TAPA VALVULAS            | RESPIRATOR                      |
| 9  | SP-XY188F-B09 | JUNTA TORNILLO           | SCREW BOLT GASKET OF RESPIRATOR |
| 10 | SP-XY188F-B10 | TORNILLO M6X56,5         | BOLT M6X56,5                    |



| Nº | REF.          | DESCRIPCIÓN (ES)     | DESCRIPTION (EN) |
|----|---------------|----------------------|------------------|
| 1  | SP-XY188F-C01 | EJE BALANCINES       | BALANCE SHAFT    |
| 2  | SP-XY188F-C02 | CIGÜEÑAL             | CRANKSHAFT       |
| 3  | SP-XY188F-C03 | BIELA PISTON         | CONNECTING ROD   |
| 4  | SP-XY188F-C04 | PISTON               | PISTION          |
| 5  | SP-XY188F-C05 | CLIP SUJECION BURLON | PISTON PIN CLIP  |
| 6  | SP-XY188F-C06 | BULON PISTON         | PISTION PIN      |
| 7  | SP-XY188F-C07 | JUEGO SEGMENTOS      | OIL RING         |
| 8  | SP-XY188F-C08 | CHAVETA              | WOODRUFF KEY     |



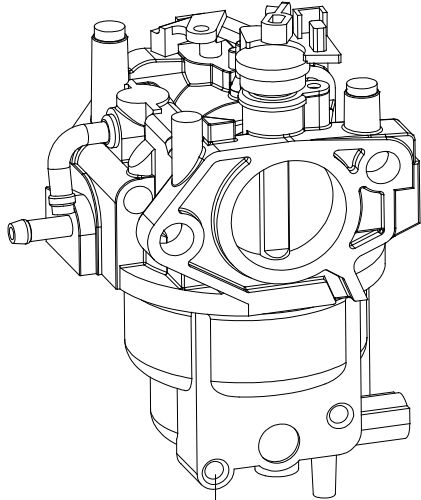
| Nº | REF.          | DESCRIPCIÓN (ES)                | DESCRIPTION (EN)            |
|----|---------------|---------------------------------|-----------------------------|
| 1  | SP-XY188F-D01 | ARBOL DE LEVAS                  | CAMSHAFT                    |
| 2  | SP-XY188F-D02 | ASIENTO VARILLAS                | TAPPET                      |
| 3  | SP-XY188F-D03 | JUEGO VARILLAS EMPUJE           | PUTTING                     |
| 4  | SP-XY188F-D04 | VALVULA ESCAPE                  | EXHAUST VAVLE               |
| 5  | SP-XY188F-D05 | VALVULA ADMISION                | INTAKE VAVLE                |
| 6  | SP-XY188F-D06 | RETEN MUELLE VALVULA            | VAVLE SPRING RING           |
| 7  | SP-XY188F-D07 | MUELLE VALVULAS                 | VAVLE SPRING                |
| 8  | SP-XY188F-D08 | ASIENTO MUELLE VALVULA ESCAPE   | EXHAUST VAVLE SPRING PLATE  |
| 9  | SP-XY188F-D09 | ASIENTO MUELLE VALVULA ADMISION | INTAKE VAVLE SPRING PLATE   |
| 10 | SP-XY188F-D10 | TOPE VALVULA ESCAPE             | COVER OF EXHAUST            |
| 11 | SP-XY188F-D11 | GUIA VARILLAS                   | GUIDE PLATE                 |
| 12 | SP-XY188F-D12 | TORNILLO BALANCIN               | ROCKER ARM BOLT             |
| 13 | SP-XY188F-D13 | BALANCIN                        | VAVLE ROCKER ARM            |
| 14 | SP-XY188F-D14 | TUERCA AJUSTE BALANCINES        | VAVLE ROCKER ARM NUT        |
| 15 | SP-XY188F-D15 | TUERCA BLOQUEO BALANCIN         | VAVLE ROCKER ARM LOCKER NUT |



| Nº  | REF.            | DESCRIPCIÓN (ES)        | DESCRIPTION (EN)              |
|-----|-----------------|-------------------------|-------------------------------|
| 1   | SP-XY188F-E01   | FILTRO AIRE COMPLETO    | AIR CLEANER ASSY              |
| 1-1 | SP-XY188F-E01-1 | ELEMENTO FILTRO AIRE    | AIR FILTER ELEMENT            |
| 2   | SP-XY188F-E02   | JUNTA FILTRO AIRE       | AIR CLEANER GASKET            |
| 3   | SP-XY188F-E03   | CEBADOR                 | AUTO-CHOKE HANDLE             |
| 4   | SP-XY188F-E04   | JUNTA CARBURADOR        | CARBURATOR GASKET             |
| 5   | SP-XY188F-E05   | PLACA AISLANTE          | INSULATION BOARD COMPONENTS   |
| 6   | SP-XY188F-E06   | JUNTA ADMISION          | INSULATION BOARD GASKET       |
| 7   | SP-XY188F-E07   | TORNILLO ST4.8X19       | HEXAGON FLANGE BOLTS ST4.8x19 |
| 8   | SP-XY188F-E08   | ARANDELA Ø5             | GASKET Ø5                     |
| 9   | SP-XY188F-E09   | TUERCA M6               | HEXAGON FLANGE NUTS M6        |
| 10  | SP-XY188F-E10   | TUBO RESPIRADERO        | BREATHER PIPE                 |
| 11  | SP-XY188F-E11   | CASQUILLO FILTRO AIRE   | AIR FILTER BUSHING            |
| 12  | SP-XY188F-E12   | PIEZA PLASTICO ESTARTER | AUTO-CHOKE PLASTIC PART       |

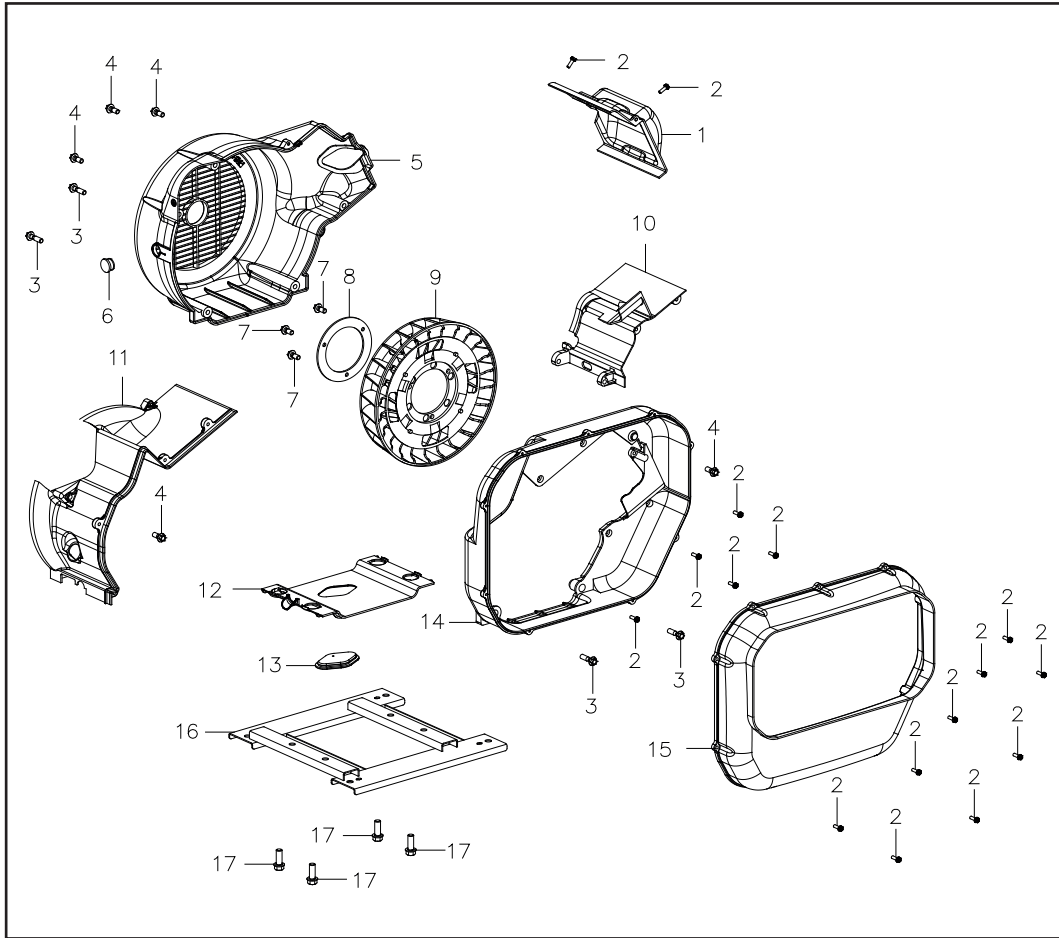


SP-XY188F-E12



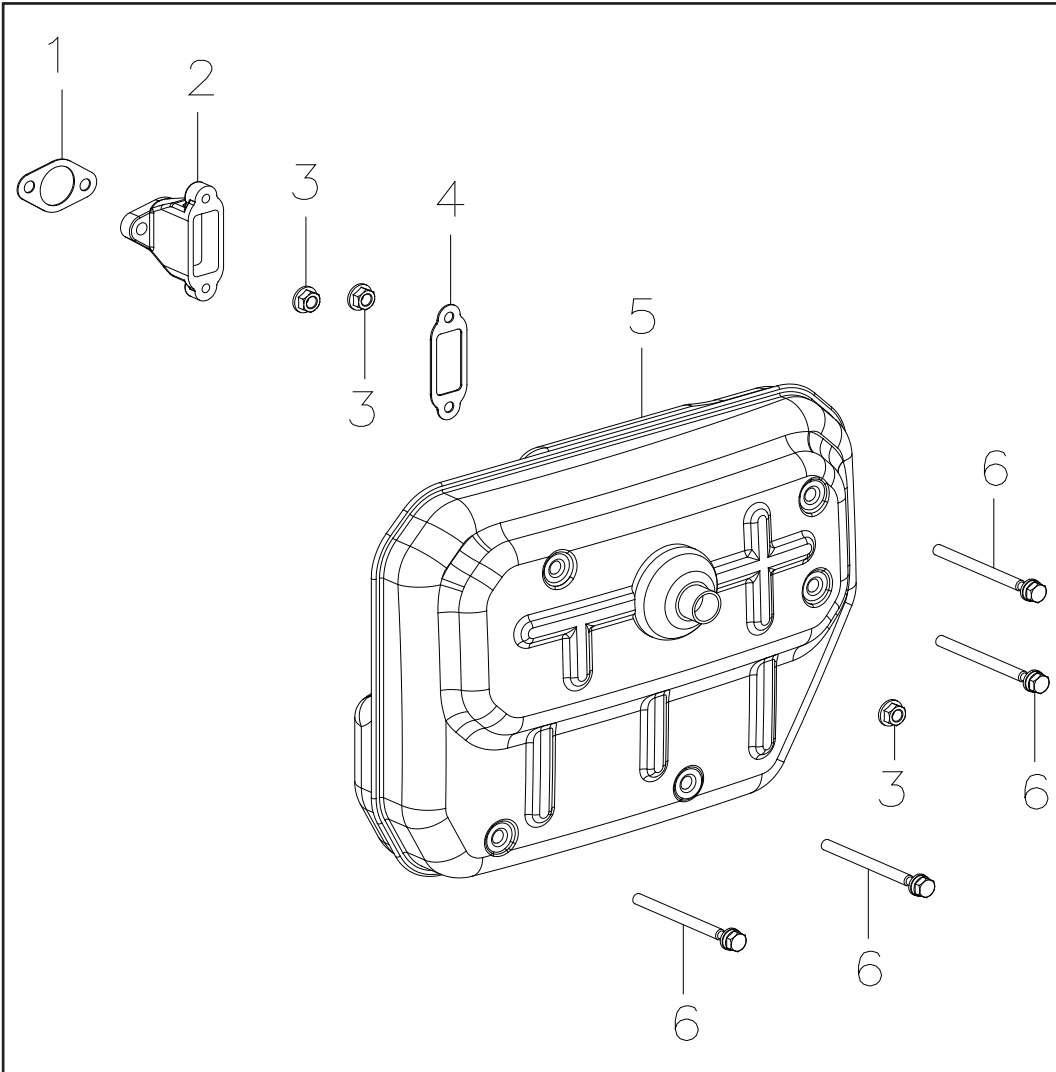
1

| Nº | REF.          | DESCRIPCIÓN (ES) | DESCRIPTION (EN) |
|----|---------------|------------------|------------------|
| 1  | SP-XY188F-F01 | CARBURADOR       | CARBURETOR       |

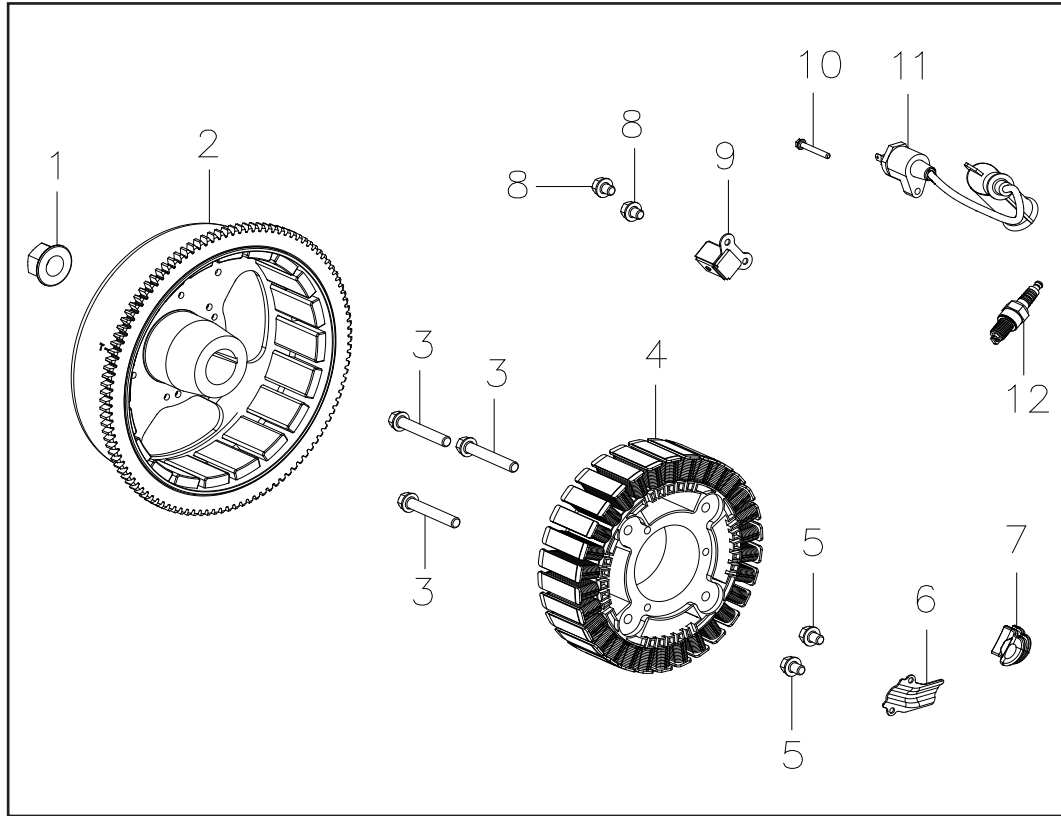


| Nº | REF.        | DESCRIPCIÓN (ES)        | DESCRIPTION (EN)            |
|----|-------------|-------------------------|-----------------------------|
| 1  | SP-6500-G01 | CUBIERTA CULATA         | COVER OF RESPIRATOR         |
| 2  | SP-6500-G02 | TORNILLO ST4.8X19       | TAPPING SCREW ST4.8x19      |
| 3  | SP-6500-G03 | TORNILLO M6X30          | HEXAGON FLANGE BOLTS M6x30  |
| 4  | SP-6500-G04 | TORNILLO M6X20          | HEXAGON FLANGE BOLTS M6x20  |
| 5  | SP-6500-G05 | CARCASA VENTILADOR      | FAN VOLUTE                  |
| 6  | SP-6500-G06 | TAPON                   | PEEPHOLE PLUG               |
| 7  | SP-6500-G07 | TORNILLO M6X18          | HEXAGON FLANGE BOLTS M6x18  |
| 8  | SP-6500-G08 | PLACA VENTILADOR        | FAN PLATE                   |
| 9  | SP-6500-G09 | VENTILADOR              | COOLING FAN                 |
| 10 | SP-6500-G10 | DEFLECTOR FRONTAL       | FRONT AIR GUIDE             |
| 11 | SP-6500-G11 | DEFLECTOR TRASERO       | BACK AIR GUIDE              |
| 12 | SP-6500-G12 | DEFLECTOR INFERIOR      | DOWN AIR GUIDE              |
| 13 | SP-6500-G13 | TAPON DE GOMA           | RUBBER PLUG                 |
| 14 | SP-6500-G14 | CUBIERTA FRONTAL ESCAPE | FRONT MUFFLER COVER         |
| 15 | SP-6500-G15 | CUBIERTA TRASERA ESCAPE | BACK MUFFLER COVER          |
| 16 | SP-6500-G16 | BASE CUBIERTAS          | TRAY                        |
| 17 | SP-6500-G17 | TORNILLO M10X30         | HEXAGON FLANGE BOLTS M10x30 |

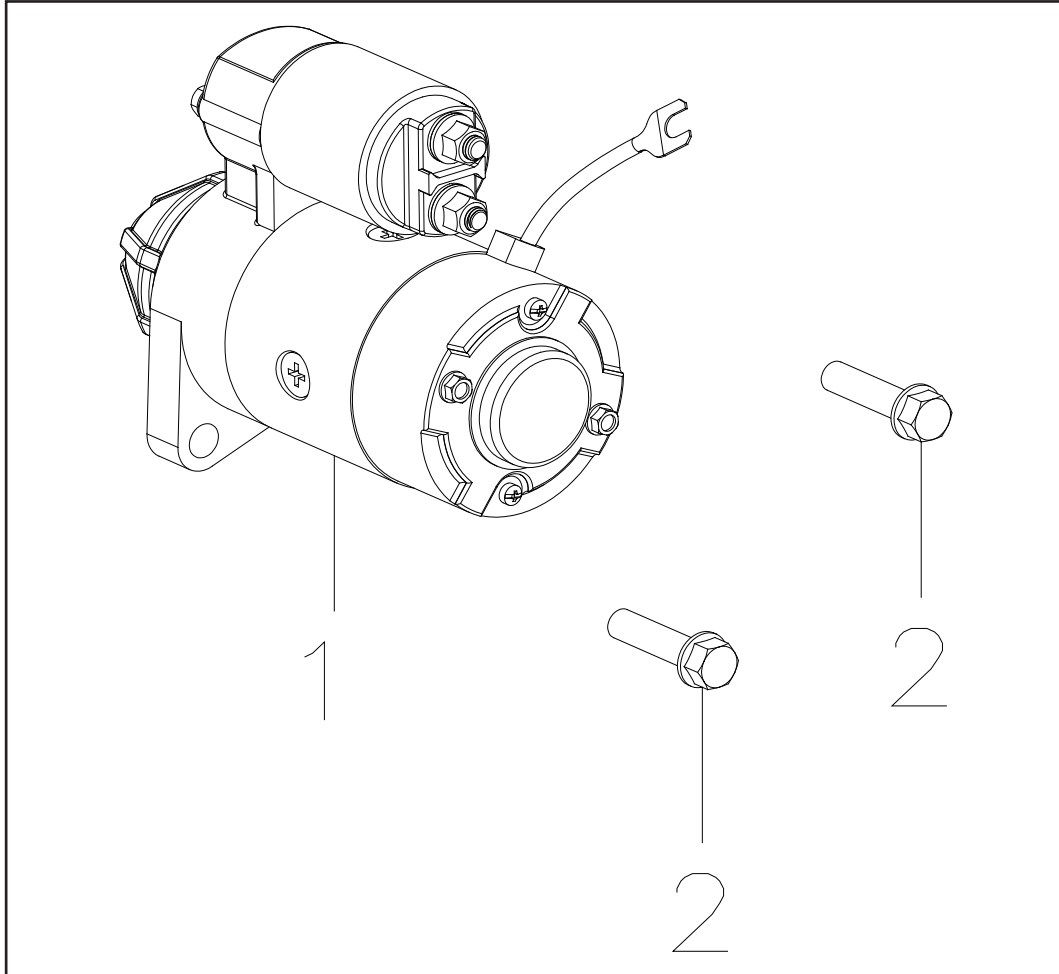




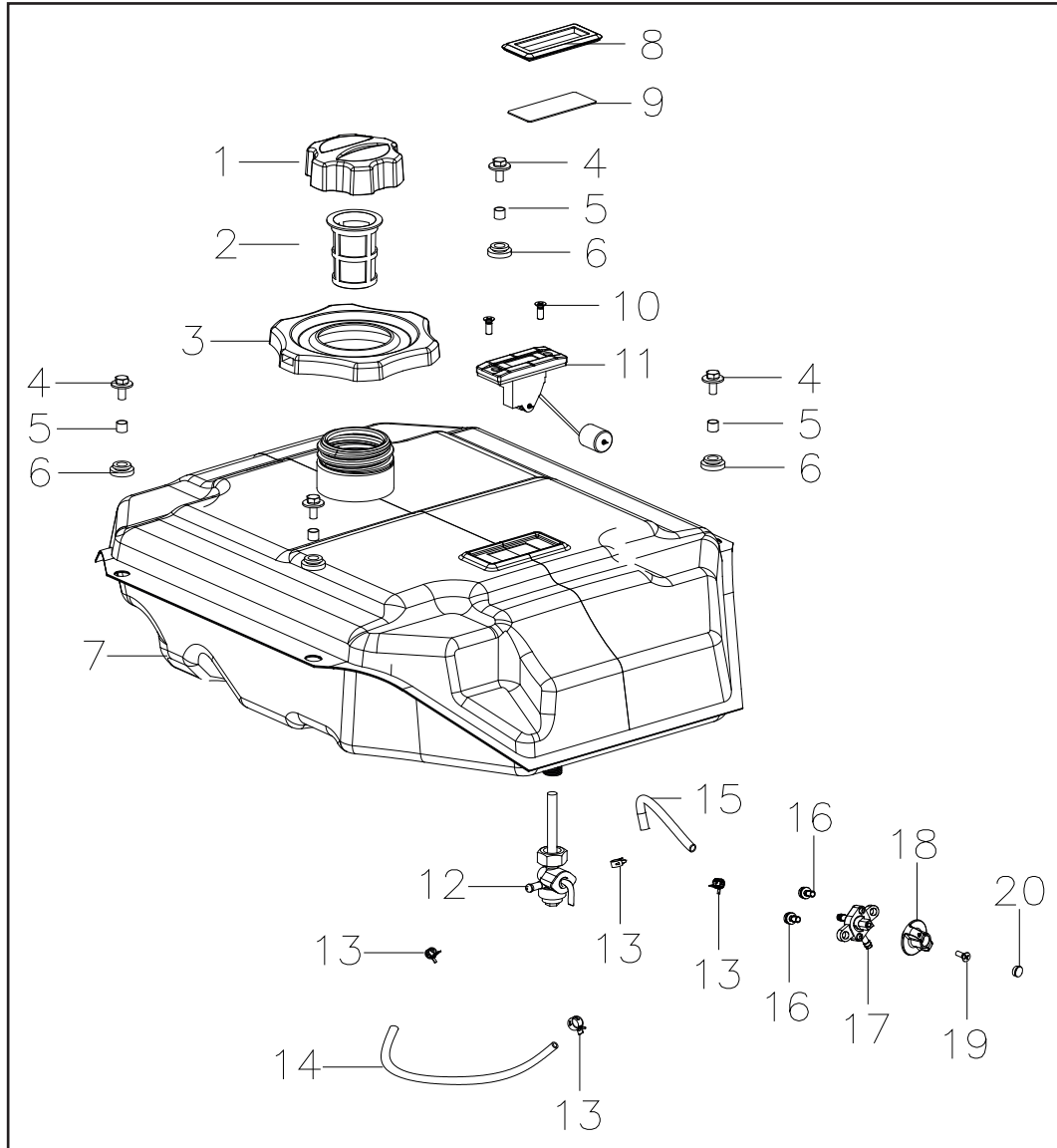
| Nº | REF.        | DESCRIPCIÓN (ES)  | DESCRIPTION (EN)        |
|----|-------------|-------------------|-------------------------|
| 1  | SP-6500-H01 | JUNTA TUBO ESCAPE | EXHAUST PIPE GASKET     |
| 2  | SP-6500-H02 | TUBO ESCAPE       | MUFFLER PIPE            |
| 3  | SP-6500-H03 | TORNILLO M8       | HEXAGON FLANGE BOLTS M8 |
| 4  | SP-6500-H04 | JUNTA ESCAPE      | MUFFLER GASKET          |
| 5  | SP-6500-H05 | ESCAPE            | MUFFLER ASSY            |
| 6  | SP-6500-H06 | TORNILLO M8X105   | BOLTS M8x105            |



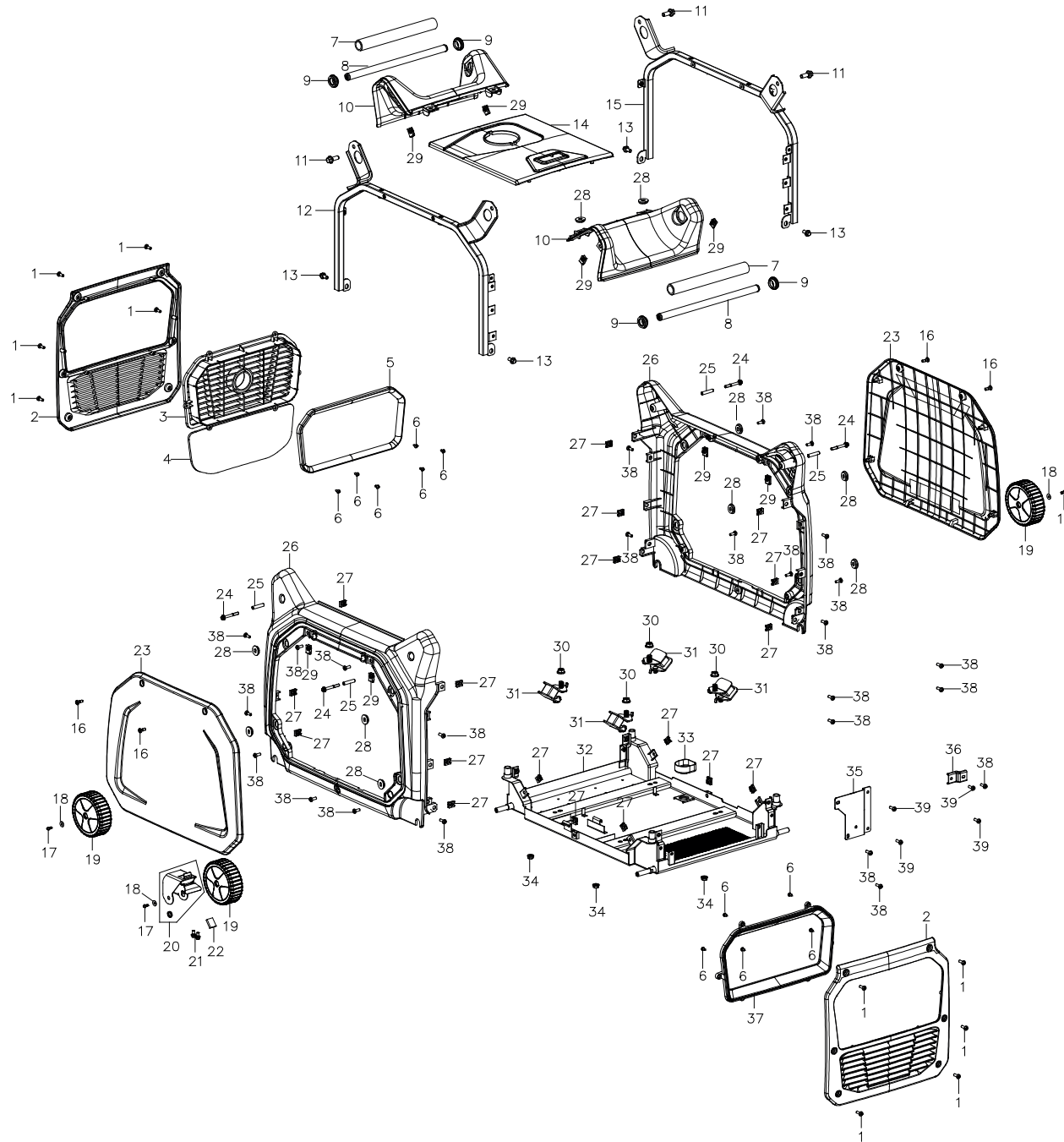
| Nº | REF.           | DESCRIPCIÓN (ES)    | DESCRIPTION (EN)            |
|----|----------------|---------------------|-----------------------------|
| 1  | SP-6500-I01    | TUERCA M20X1.5      | HEXAGON FLANGE NUTS M20X1.5 |
| 2  | SP-6500-I02    | ROTOR               | ROTOR                       |
| 3  | SP-6500-I03    | TORNILLO M6X65      | INNER HEXAGON SCREW M6x65   |
| 4  | SP-6500-I04    | ESTATOR             | STATOR                      |
| 5  | SP-6500-I05    | TORNILLO M5X12      | HEXAGON FLANGE BOLTS M5x12  |
| 6  | SP-6500-I06    | ABARZADERA          | CLAMP                       |
| 7  | SP-6500-I07    | CASQUILLO           | BUSHING                     |
| 8  | SP-6500-I08    | TORNILLO M5X10      | HEXAGON FLANGE BOLTS M5x10  |
| 9  | SP-6500-I09    | SENSOR REVOLUCIONES | REVOLUTION SENSOR           |
| 10 | SP-6500-I10    | TORNILLO ST4,8X30   | TAPPED SCREW ST4.8x30       |
| 11 | SP-XY188F-I11  | BOBINA BUJIA        | IGNITION COIL               |
| 12 | SP-BUJIA-A7RTC | BUJIA TORCH A7RTC   | SPARK PLUG TORCH A7RTC      |

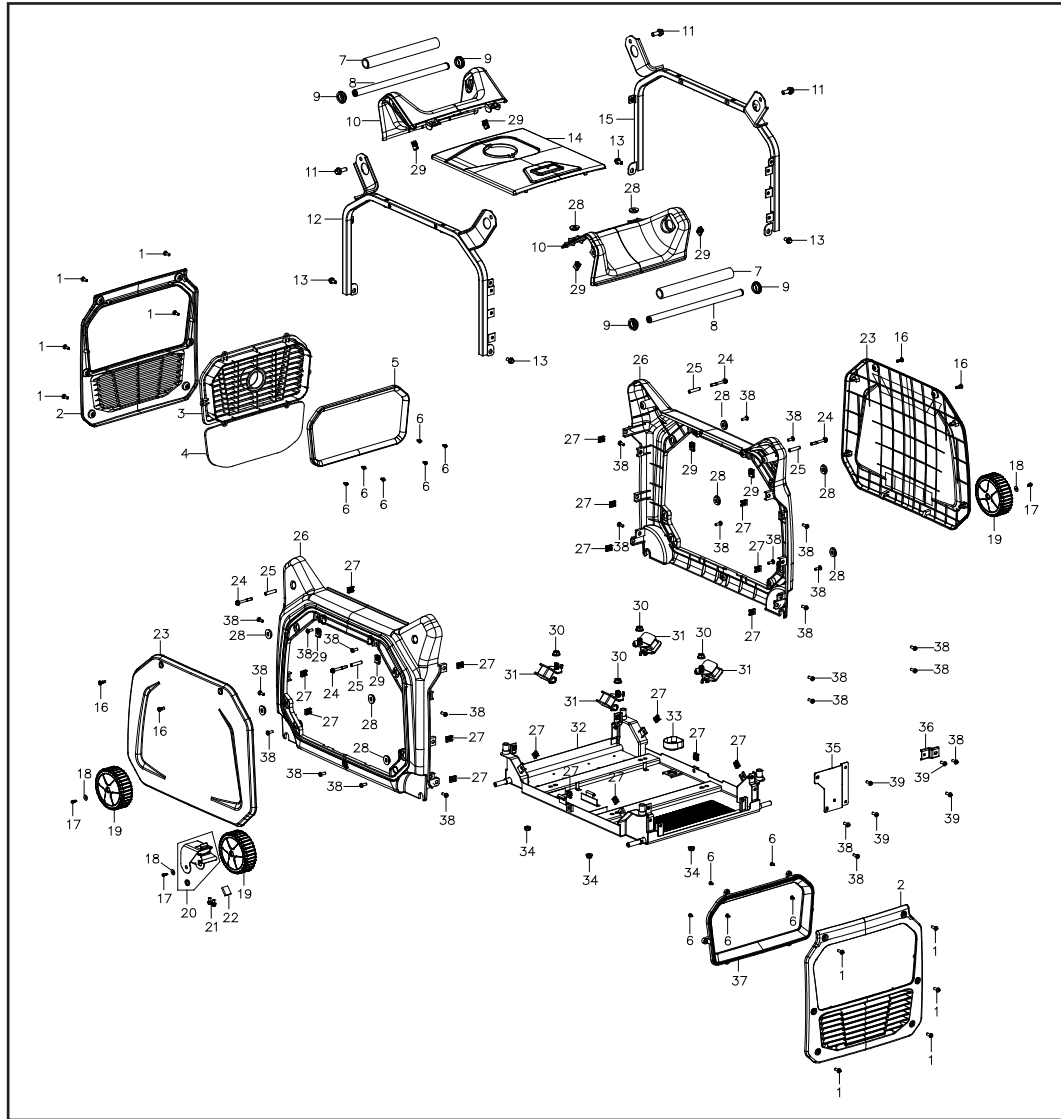


| Nº | REF.          | DESCRIPCIÓN (ES)  | DESCRIPTION (EN)            |
|----|---------------|-------------------|-----------------------------|
| 1  | SP-XY188F-J01 | MOTOR DE ARRANQUE | START MOTOR                 |
| 2  | SP-XY188F-J02 | TORNILLO M10X30   | HEXAGON FLANGE BOLTS M10x30 |

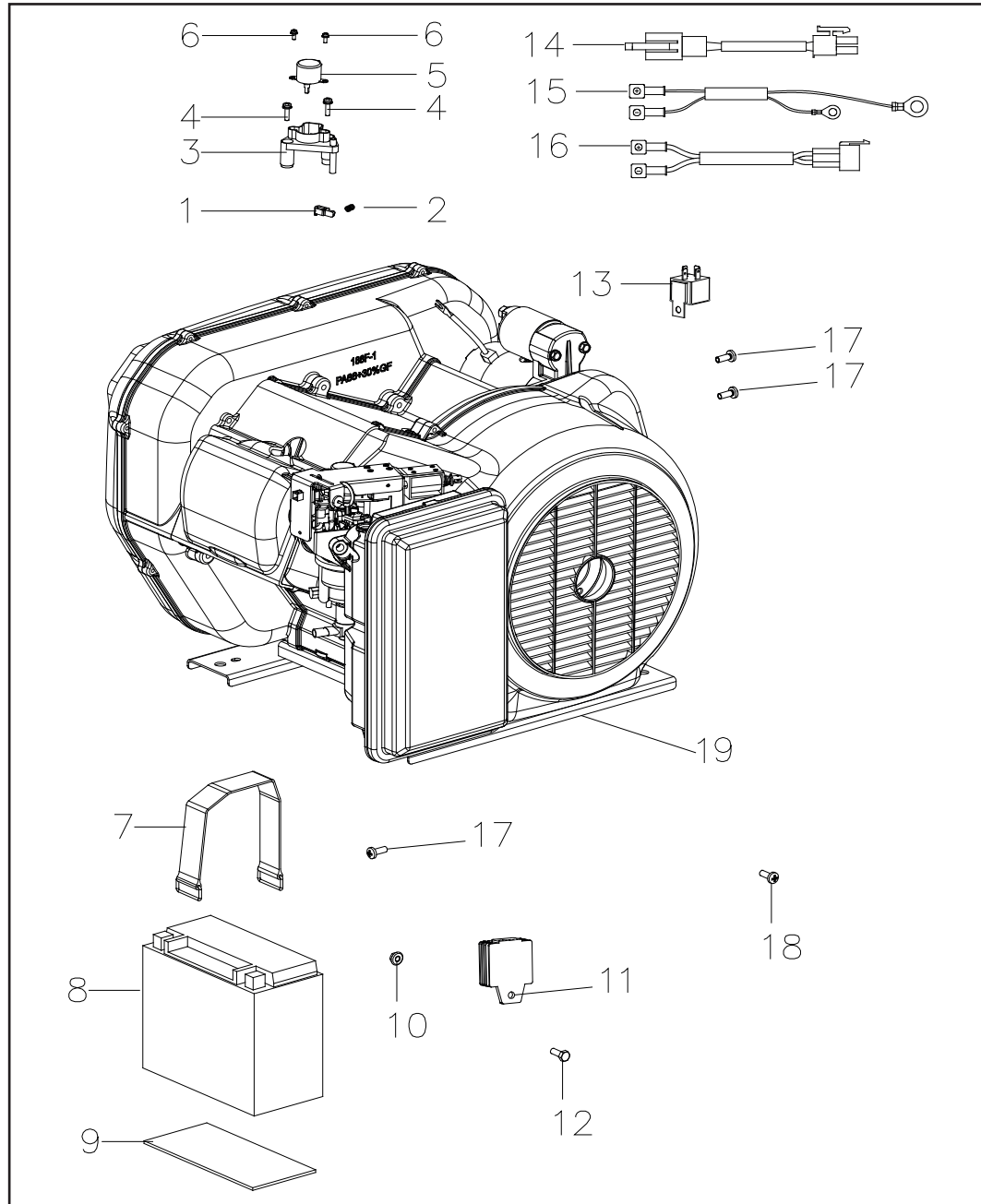


| Nº | REF.        | DESCRIPCIÓN (ES)                | DESCRIPTION (EN)           |
|----|-------------|---------------------------------|----------------------------|
| 1  | SP-6500-K01 | TAPON COMBUSTIBLE               | FUEL TANK CAP ASSY         |
| 2  | SP-6500-K02 | PRE FILTRO COMBUSTIBLE          | FUEL FILTER                |
| 3  | SP-6500-K03 | GOMA TAPON                      | FUEL TANK PORT RUBBER PART |
| 4  | SP-6500-K04 | TORNILLO M6X22                  | SCREW M6x22                |
| 5  | SP-6500-K05 | CASQUILLO DEPOSITO              | SHOCK PAD                  |
| 6  | SP-6500-K06 | GOMA CASQUILLO                  | RUBBER SHOCK PAD           |
| 7  | SP-6500-K07 | DEPOSITO COMBUSTIBLE            | FUEL TANK                  |
| 8  | SP-6500-K08 | GOMA INDICADOR NIVEL GASOLINA   | RUBBER OF FUEL LEVEL GAUGE |
| 9  | SP-6500-K09 | VENTANA NIVEL GASOLINA          | WINDOW OF FUEL LEVEL GAUGE |
| 10 | SP-6500-K10 | TORNILLO M5X14                  | CROSS HEAD SCREW M5*14     |
| 11 | SP-6500-K11 | INDICADOR NIVEL GASOLINA        | OIL LEVEL GAUGE            |
| 12 | SP-6500-K12 | GRIFO COMBUSTIBLE               | FUEL COCK                  |
| 13 | SP-6500-K13 | ABRAZADERA                      | CLAMP                      |
| 14 | SP-6500-K14 | TUBO COMBUSTIBLE Ø5XØ10X230     | FUEL TUBE Ø5XØ10X230       |
| 15 | SP-6500-K15 | TUBO COMBUSTIBLE Ø5XØ10X350     | FUEL TUBE Ø5XØ10X350       |
| 16 | SP-6500-K16 | TORNILLO ST4.8X13               | SCREW ST4.8x13             |
| 17 | SP-6500-K17 | GRIFO COMBUSTIBLE               | FUEL COCK                  |
| 18 | SP-6500-K18 | MANILLA GRIFO COMBUSTIBLE       | FUEL COCK HANDLE           |
| 19 | SP-6500-K19 | TORNILLO M4X14                  | SCREW M4X14                |
| 20 | SP-6500-K20 | TAPON MANILLA GRIFO COMBUSTIBLE | CAP OF FUEL COCK HANDLE    |

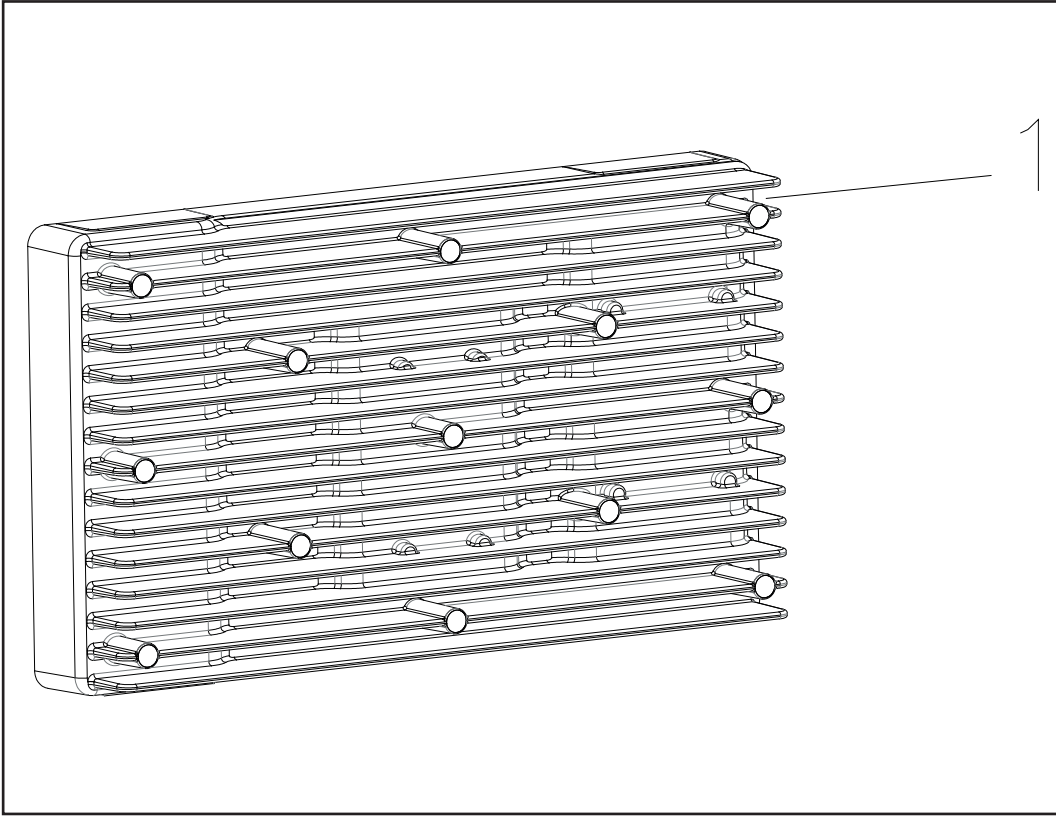




| Nº | REF.          | DESCRIPCIÓN (ES)         | DESCRIPTION (EN)            |
|----|---------------|--------------------------|-----------------------------|
| 1  | SP-6500-L01   | TORNILLO M6X16           | PAN HEAD SCREW M6×16        |
| 2  | SP-6500-L02   | TAPA TRASERA Y DELANTERA | FRONT AND BACK COVER        |
| 3  | SP-6500-L03   | TAPA ESCAPE              | MUFFLER COVER               |
| 4  | SP-6500-L04   | ESPONJA FONO ABSORBENTE  | SOUND-ABSORBING SPONGE      |
| 5  | SP-6500-L05   | JUNTA TAPA ESCAPE        | MUFFLER COVER SEAL          |
| 6  | SP-6500-L06   | TORNILLO ST4.8X13        | SCREW ST4.8×13              |
| 7  | SP-6500-L07   | ASA                      | HANDLE                      |
| 8  | SP-6500-L08   | TUBO INTERIOR ASA        | STEEL TUBE OF HANDLE        |
| 9  | SP-6500-L09   | GOMA ASA                 | RUBBER OF HANDLE            |
| 10 | SP-6500-L10   | SOPORTE ASA              | HANDLE BOARD                |
| 11 | SP-6500-L11   | TORNILLO M10*25          | HEXAGON FLANGE BOLTS M10*25 |
| 12 | SP-6500-L12   | MARCO DERECHO            | RIGHT FRAMEWORK             |
| 13 | SP-6500-L13   | TORNILLO M8*16           | HEXAGON FLANGE BOLTS M8*16  |
| 14 | SP-6500-L14   | TAPA SUPERIOR            | UPPER COVER                 |
| 15 | SP-6500-L15   | MARCO IZQUIERDO          | LEFT FRAMEWORK              |
| 16 | SP-6500-L16   | TORNILLO M6X16           | TAPPED SCREW M6X16          |
| 17 | SP-6500-L17   | TORNILLO M5X10           | PAN HEAD SCREW M5X10        |
| 18 | SP-6500-L18   | ARANDELA GB862.2 Ø5      | GASKET GB862.2 5            |
| 19 | SP-6500-L19   | RUEDAS 5"                | WHEELS 5"                   |
| 20 | SP-6500-L20   | FRENO RUEDAS             | BRAKE PART                  |
| 21 | SP-6500-L21   | TORNILLO M6X12           | HEXAGON FLANGE BOLTS M6X12  |
| 22 | SP-6500-L22   | GOMA FRENO               | BRAKE RUBBER                |
| 23 | SP-6500-L23-B | TAPA LATERAL AZUL        | SIDE COVER BLUE             |
| 24 | SP-6500-L24   | TORNILLO M6X50           | HEXAGON FLANGE BOLTS M6X50  |
| 25 | SP-6500-L25   | CASQUILLO                | BUSHING                     |
| 26 | SP-6500-L26   | CUBIERTA LATERAL         | COVER OF SHELL              |
| 27 | SP-6500-L27   | GRAPA ROSCADA            | CLIP NUT                    |
| 28 | SP-6500-L28   | GOMAS FIJACION           | RUBBER CLIP                 |
| 29 | SP-6500-L29   | GRAPA CLIP               | ANTI-OFF CLIP NUT           |
| 30 | SP-6500-L30   | TUERCA M10               | HEXAGON FLANGE BOLTS M10    |
| 31 | SP-6500-L31   | SILENT-BLOCK             | SHOCK PAD                   |
| 32 | SP-6500-L32   | CHASIS                   | CHASSIS                     |
| 33 | SP-6500-L33   | EMBUDO ACEITE            | OIL FUNNEL                  |
| 34 | SP-6500-L34   | TUERCA M8                | FLANGE NUT M8               |
| 35 | SP-6500-L35   | SOPORTE PLACA INVERTER   | FIXED PLATE OF INVERTER     |
| 36 | SP-6500-L36   | FIJADOR PLACA INVERTER   | INVERTER JOLDER             |
| 37 | SP-6500-L37   | JUNTA PANEL CONTROL      | PANEL BOX                   |
| 38 | SP-6500-L38   | TORNILLO M6X16           | HEXAGON FLANGE BOLTS M6×16  |
| 39 | SP-6500-L39   | TORNILLO M5X14           | HEXAGON FLANGE BOLTS M5×14  |

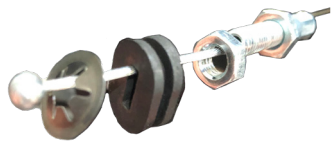
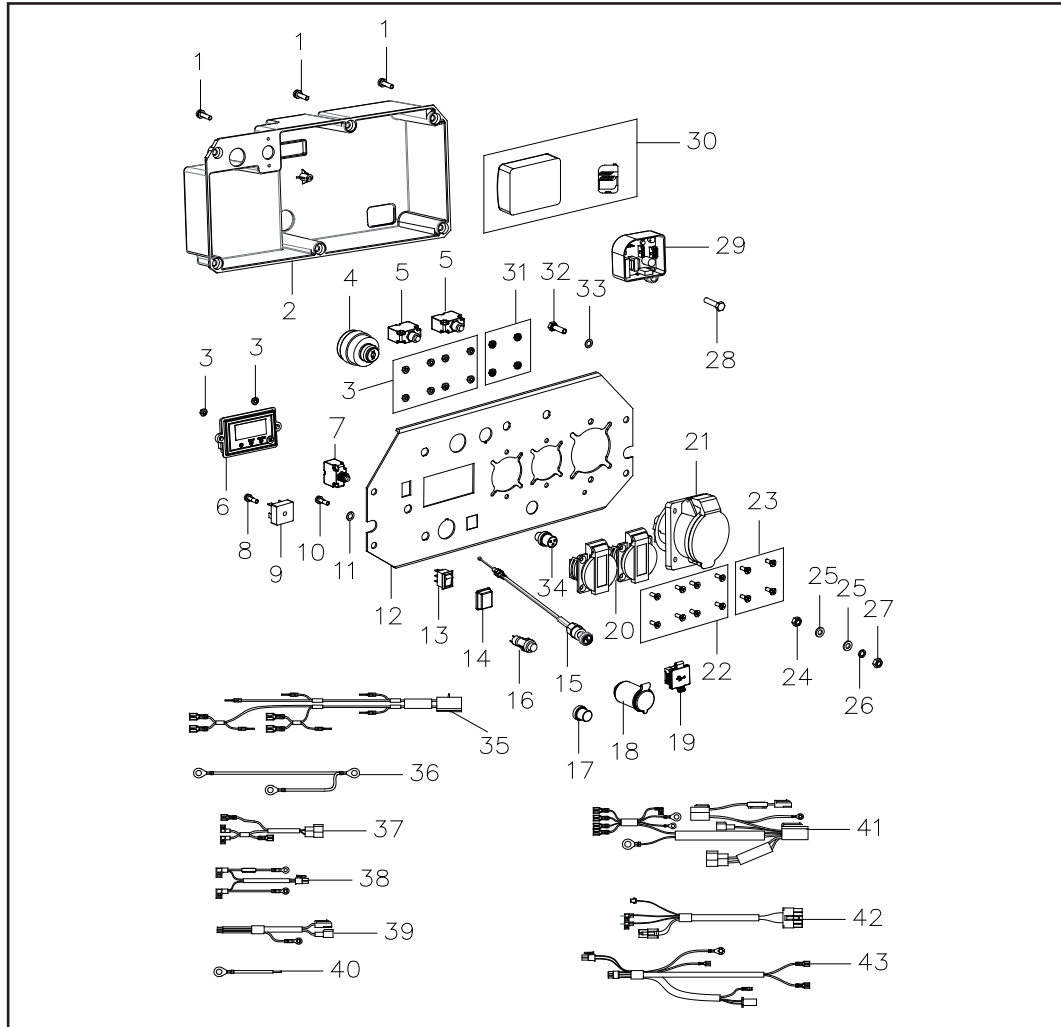


| Nº | REF.           | DESCRIPCIÓN (ES)         | DESCRIPTION (EN)           |
|----|----------------|--------------------------|----------------------------|
| 1  | SP-6500-M01    | BRAZO MOTRIZ             | DRIVE ARM                  |
| 2  | SP-6500-M02    | MUELLE BRAZO MOTRIZ      | DRIVE ARM SPRING           |
| 3  | SP-6500-M03    | SOPORTE MOTOR CARBURADOR | STEPPER MOTOR HOLDER       |
| 4  | SP-6500-M04    | TORNILLO M4X16           | SCREW M4×16                |
| 5  | SP-6500-M05    | MOTOR CARBURADOR         | STEPPER MOTOR ASSY         |
| 6  | SP-6500-M06    | TORNILLO M3X8            | SCREW M3×8                 |
| 7  | SP-6500-M07    | GOMA FIJACION BATERIA    | BATTERY LAYER              |
| 8  | SP-BAT-18AH-XY | BATERIA 12V18A           | BATTERY 12V18AH            |
| 9  | SP-6500-M09    | GOMA BASE BATERIA        | GASKET OF BATTERY          |
| 10 | SP-6500-M10    | TUERCA M6                | FLANGE NUT M6              |
| 11 | SP-6500-M11    | REGULADOR CARGA BATERIA  | BATTERY REGULATOR          |
| 12 | SP-6500-M12    | TORNILLO M6X16           | FLANGE BOLT M6×16          |
| 13 | SP-6500-M13    | RELE                     | RELAY                      |
| 14 | SP-6500-M14    | CABLE MOTOR CARBURADOR   | STEPPER MOTOR CORD         |
| 15 | SP-6500-M15    | CABLE BATERIA            | BATTERY WIRE               |
| 16 | SP-6500-M16    | CABLE PLACA INVERTER     | INVERTER OUTPUT WIRE       |
| 17 | SP-6500-M17    | TORNILLO M6X12           | HEXAGON FLANGE BOLTS M6×12 |
| 18 | SP-6500-M18    | TORNILLO M5X14           | HEXAGON FLANGE BOLTS M5×14 |
| 19 | SP-HY188F      | MOTOR INVERTER XY        | INVERTER ENGINE XY         |



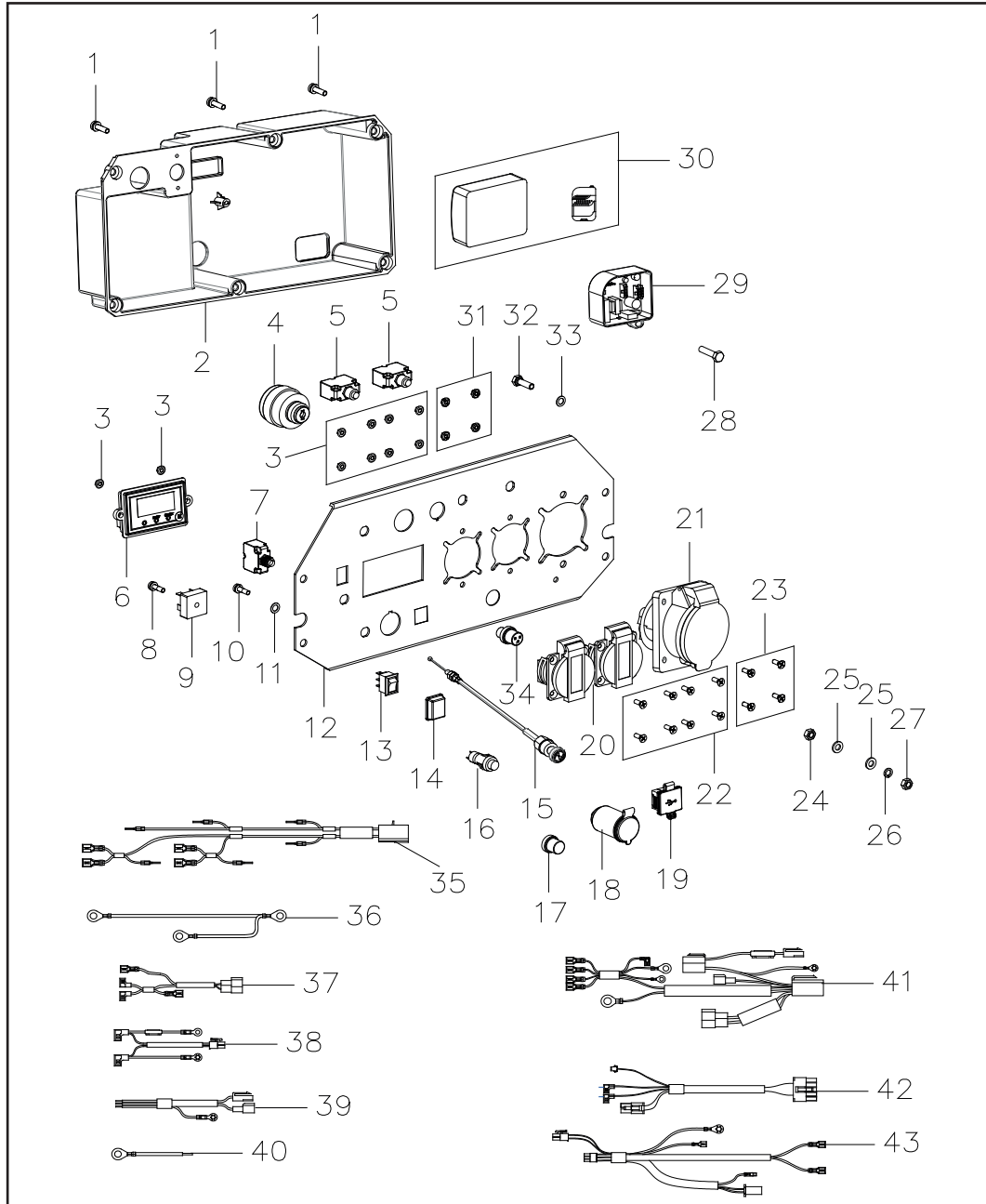
| Nº | REF.        | DESCRIPCIÓN (ES) | DESCRIPTION (EN) |
|----|-------------|------------------|------------------|
| 1  | SP-6500-N01 | PLACA INVERTER   | INVERTER         |





SP-6500-015

| Nº | REF.                    | DESCRIPCIÓN (ES)                     | DESCRIPTION (EN)                      |
|----|-------------------------|--------------------------------------|---------------------------------------|
| 1  | SP-6500-001             | TORNILLO M5X10                       | SCREW M5×10                           |
| 2  | SP-6500-002             | CAJA PANEL CONTROL                   | PANEL BOX                             |
| 3  | SP-6500-003             | TUERCA M4                            | FLANGE NUT M4                         |
| 4  | SP-6500-004             | BOMBIN LLAVE                         | ELECTRIC STARTER                      |
| 5  | SP-PC-OVER-16A          | PROTECTOR SOBRECARGA 16A CC          | OVERLOAD PROTECTOR 16A                |
| 6  | SP-6500-006             | PANTALLA LED                         | MULTIFUNCTION DIGITAL DISPLAY         |
| 7  | SP-PC-OVER-6A           | PROTECTOR SOBRECARGA CC              | OVERLOAD PROTECTOR 6A                 |
| 8  | SP-6500-008             | TORNILLO M5X16                       | SCREW M5×16                           |
| 9  | SP-PC-RECTI-3502        | RECTIFICADOR KBPC3502                | RECTIFIER KBPC3502                    |
| 10 | SP-6500-010             | TORNILLO M5X8                        | SCREW M5×8                            |
| 11 | SP-6500-011             | ARANDELA BLOQUEO Ø5                  | LOCK GASKET 5                         |
| 12 | SP-6500-012             | PLACA PANEL CONTROL                  | PANEL COMPONENTS                      |
| 13 | SP-PC-SWITCH-C          | INTERRUPTOR ON/OFF NEGRO             | BOAT SWITCH                           |
| 14 | SP-PC-SWITCH-CUBIERTA   | PROTECTOR LLUVIA INTERRUPTOR         | WATER-PROOF CAP OF BOAT SWITCH        |
| 15 | SP-6500-015             | CABLE ESTARTER                       | THROTTLE ROPE ASSEMBLY                |
| 16 | SP-6500-016             | BOTON RESET                          | RESET SWITCH                          |
| 17 | SP-PC-OVER-PROTEC       | PROTECTOR LLUVIA SOBRECARGA          | WATER-PROOF CAP OF OVERLOAD PROTECTOR |
| 18 | SP-6500-018             | TOMA MECHERO                         | CIGAR LIGHTER SOCKET                  |
| 19 | SP-6500-019             | DOBLE USB                            | DOUBLE USB                            |
| 20 | SP-PC-BASE-SCH-16A-IP54 | BASE ENCHUFE SCHUKO 16A IP54 230V    | EUROPEAN SOCKET IP54                  |
| 21 | SP-PC-BASE-SCH-32A-IP44 | BASE ENCHUFE SCHUKO 32A 3P IP44 230V | INDUSTRIAL SOCKET 32A                 |
| 22 | SP-6500-022             | TORNILLO M5X16                       | SCREW M5×16                           |
| 23 | SP-6500-023             | TORNILLO M5X18                       | SCREW M5×18                           |
| 24 | SP-6500-024             | TUERCA M6                            | FLANGE NUT M6                         |
| 25 | SP-6500-025             | ARANDELA Ø5                          | FLAT WASHER 5                         |
| 26 | SP-6500-026             | GLOVER Ø6                            | SPRING WASHER 6                       |
| 27 | SP-6500-027             | TUERCA M6                            | FLANGE NUT M6                         |
| 28 | SP-6500-028             | TORNILLO ST4.8X16                    | SCREW ST4.8×16                        |
| 29 | SP-6500-029             | CONTROL BOX                          | IGNITION CONTROLLER                   |
| 30 | SP-6500-030             | CONTROL REMOTO MODULO ATS            | REMOTE CONTROL MODULE OF ATS          |
| 31 | SP-6500-031             | TUERCA M5                            | FLANGE NUT M5                         |
| 32 | SP-6500-032             | TORNILLO M6X20                       | SCREW M6×20                           |
| 33 | SP-6500-033             | GLOVER Ø6                            | LOCK GASKET 6                         |
| 34 | SP-PC-ATS-3             | BASE CONECTOR ATS                    | ATS CONNECTOR                         |
| 35 | SP-6500-035             | CABLES CORRIENTE ALTERNA (UE)        | AC SOCKET WIRE(EU)                    |
| 36 | SP-6500-036             | CABLE TIERRA                         | PANEL EARTH WIRE                      |
| 37 | SP-6500-037             | CABLE ENTRADA ENCHUFE DC             | DC SOCKET INPUT WIRE                  |
| 38 | SP-6500-038             | CABLE ENCHUFE DC                     | DC SOCKET WIRE                        |



| Nº | REF.        | DESCRIPCIÓN (ES)            | DESCRIPTION (EN)         |
|----|-------------|-----------------------------|--------------------------|
| 39 | SP-6500-039 | CABLE ATS                   | ATS WIRE                 |
| 40 | SP-6500-040 | CABLE ENCHUFE TIERRA        | SOCKET EARTH WIRE        |
| 41 | SP-6500-041 | CABLE GENERADOR             | GENERATOR WIRE           |
| 42 | SP-6500-042 | CABLE INVERTER              | INVERTER WIRE            |
| 43 | SP-6500-043 | CABLE CONTROLADOR ENCENDIDO | IGNITION CONTROLLER WIRE |